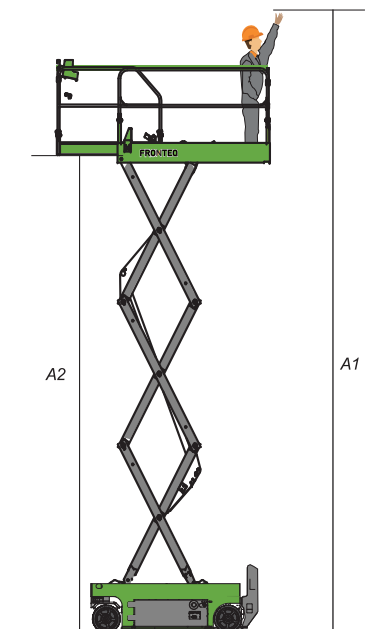
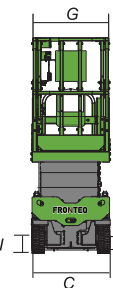
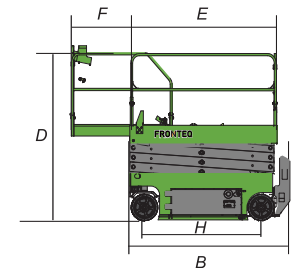




Products are widely applied to construction / power / ship / municipal / exhibition / advertising / warehousing / wharf / airport

## FS0407 / FS0407W

Model	FS0407 Hydraulic Drive		FS0407W Hydraulic Drive	
	US	METRIC	US	METRIC
<b>Dimensions</b>				
Max. Working Height	A1	21 ft 4 in	21ft4 in	6.5 m
Max. Platform Height	A2	14 ft 9 in	14 ft 9 in	4.5 m
Overall Length (Stowed)	B	6 ft 1 in	6 ft 1 in	1.86 m
Overall Width	C	2 ft 6 in	2 ft 8 in	0.81 m
Overall Height (Guardrails unfolded)	D	6 ft 9 in	6 ft 9 in	2.06 m
Overall Height (Guardrails folded)		5 ft 1 in	5 ft 1 in	1.56 m
Platform Length (Platform unextended)	E	5 ft 5 in	5 ft 5 in	1.65 m
Max Horizontal Reach (Extension length)	F	2 ft 11 in	2 ft 11 in	0.9 m
Platform Width	G	2 ft 6 in	2 ft 6 in	0.76 m
Wheelbase	H	4 ft 5 in	4 ft 5 in	1.35 m
Ground Clearance	I	2in	2.4 in	0.06 m
Ground Clearance (Pothole guards deployed)	J	1in	1 in	0.02 m



### Performance

Max. Platform occupancy (indoor/outdoor)	2 / -	2 / -	2/1	2/1
Lift Capacity	617lb	280 kg	617 lb	280kg
Lift Capacity (Extension deck)	265lb	120 kg	265 lb	120kg
Driving Height	Full height	Full height	Full height	Full height
Driving speed (Stowed)	0-2.5 mph	0-4.0km/h	0-2.5mph	0-4km/h
Driving speed (Raised)	0-0.5mph	0-0.8km/h	0-0.5mph	0-0.8km/h
Gradeability	30%	30%	30%	30%
Turning Radius (Inside)	0	0	0	0
Turning Radius (Outside)	5 ft7 in	1.7m	5 ft7in	1.7m
Maximum Working Inclination Angle	1.5°/3°	1.5°/3°	1.5°/3°	1.5°/3°
Rise/Lower Speed	18/28 sec.	18/28 sec.	18/28 sec.	18/28 sec.
Controls	Proportional control	Proportional control	Proportional control	Proportional control
Drive	Double front wheel	Double front wheel	Double front wheel	Double front wheel
Brake	Double rear wheel	Double rear wheel	Double rear wheel	Double rear wheel
Track Tyre	12*4.5in	30.5*11.4cm	12*4.5in	30.5*11.4cm

### Power

Battery	24V DC (4*6V 225 Ah )	24V DC (4*6V 225 Ah )
Charger	90-240V36A mp	90-240V36A mp
Hydraulic Tank Capacity	2.6gal	10L
Overall Weight	2723 lb	1235 kg