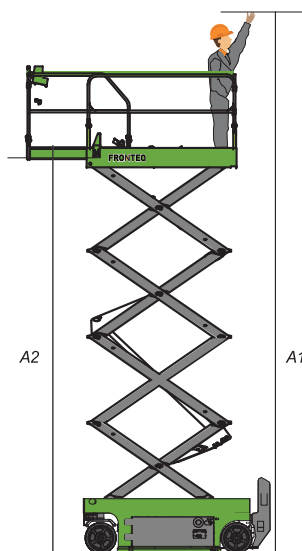
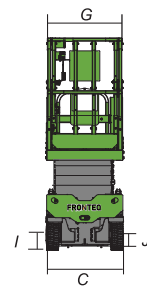
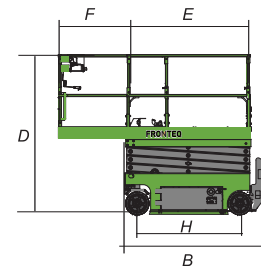


## FS0407E / FS0507E

Model	FS0407E Electric Drive		FS0507E Electric Drive		
	US	METRIC	US	METRIC	
<b>Dimensions</b>					
Max. Working Height	<b>A1</b>	19 ft	5.8 m	22 ft 4 in	6.8 m
Max. Platform Height	<b>A2</b>	12 ft 6 in	3.8 m	15 ft 9 in	4.8 m
Overall Length (Stowed)	<b>B</b>	4 ft 9 in	1.46 m	4 ft 9 in	1.46 m
Overall Width	<b>C</b>	2 ft 6 in	0.76 m	2 ft 8 in	0.81 m
Overall Height (Guardrails unfolded)	<b>D</b>	6 ft 11 in	2.11 m	7 ft 4 in	2.24 m
Overall Height (Guardrails folded)					
Platform Length (Platform unextended)	<b>E</b>	4 ft 3 in	1.29 m	4 ft 3 in	1.29 m
Max Horizontal Reach (Extension length)	<b>F</b>	2 ft 2 in	0.65 m	2 ft 2 in	0.65 m
Platform Width	<b>G</b>	2 ft 6 in	0.76 m	2 ft 6 in	0.76 m
Wheelbase	<b>H</b>	3 ft 3 in	1 m	3 ft 3 in	1 m
Ground Clearance	<b>I</b>	2 in	0.06 m	2 in	0.06 m
Ground Clearance (Pothole guards deployed)	<b>J</b>	0.4 in	0.01 m	0.4 in	0.01 m



### Performance

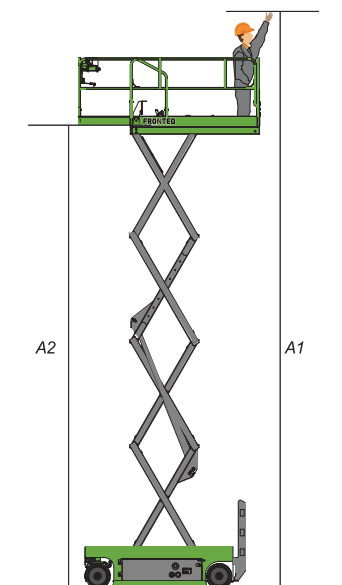
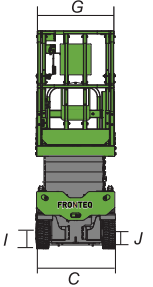
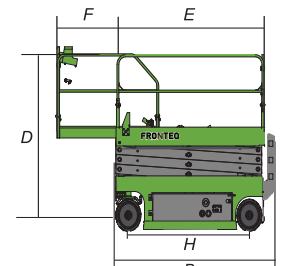
Max. Platform occupancy (indoor/outdoor)	2 / -	2 / -	2 / -	2 / -
Lift Capacity	507 lb	230 kg	507 lb	230 kg
Lift Capacity (Extension deck)	250 lb	113 kg	250 lb	113 kg
Driving Height	Full height	Full height	Full height	Full height
Driving speed (Stowed)	0-2.5 mph	0-4.0 km/h	0-2.5 mph	0-4 km/h
Driving speed (Raised)	0-0.6 mph	0-1.0 km/h	0-0.5 mph	0-0.8 km/h
Gradeability	25%	25%	25%	25%
Turning Radius (Inside)	2 in	0.04 m	2 in	0.04 m
Turning Radius (Outside)	5 ft 1 in	1.55 m	5 ft 1 in	1.55 m
Maximum Working Inclination Angle	1.5°/3°	1.5°/3°	1.5°/3°	1.5°/3°
Rise/Lower Speed	18/20 sec.	18/20 sec.	18/20 sec.	18/20 sec.
Controls	Proportional control	Proportional control	Proportional control	Proportional control
Drive	Double front wheel	Double front wheel	Double front wheel	Double front wheel
Brake	Double front wheel	Double front wheel	Double front wheel	Double front wheel
Track Tyre	9*3 in	23*8 cm	9*3 in	23*8 cm

### Power

Battery	24V DC(2*12V105Ah)	24V DC(2*12V105Ah)
Charger	100-240V15A mp	100-240V15Amp
Hydraulic Tank Capacity	1.1gal	4L
Overall Weight	1951 lb	885 kg
	2205 lb	1000kg

## FS0607/ FS0607W

Model	FS0607 Hydraulic Drive		FS0607W Hydraulic Drive		
	US	METRIC	US	METRIC	
<b>Dimensions</b>					
Max. Working Height	<b>A1</b>	25ft7in	7.8 m	25ft7in	7.8 m
Max. Platform Height	<b>A2</b>	19ft	5.8 m	19ft	5.8 m
Overall Length (Stowed)	<b>B</b>	6ft1in	1.86 m	6ft1in	1.86 m
Overall Width	<b>C</b>	2ft6in	0.76 m	2ft8in	0.81 m
Overall Height (Guardrails unfolded)	<b>D</b>	7ft1in	2.15 m	7ft1in	2.15 m
Overall Height (Guardrails folded)		5ft5in	1.65 m	5ft5in	1.65 m
Platform Length (Platform unextended)	<b>E</b>	5ft5in	1.65 m	5ft5in	1.65 m
Max Horizontal Reach (Extension length)	<b>F</b>	2ft11in	0.9 m	2ft11in	0.9 m
Platform Width	<b>G</b>	2ft6in	0.76 m	2ft6in	0.76 m
Wheelbase	<b>H</b>	4ft5in	1.35 m	4ft5in	1.35 m
Ground Clearance	<b>I</b>	24 in	0.06 m	24 in	0.06 m
Ground Clearance (Pothole guards deployed)	<b>J</b>	1 in	0.02 m	1 in	0.02 m



### Performance

Max. Platform occupancy (indoor/outdoor)	2/-	2/-	2/1	2/1
Lift Capacity	507lb	230 kg	507lb	230 kg
Lift Capacity (Extension deck)	265lb	120 kg	265lb	120 kg
Driving Height	Full height	Full height	Full height	Full height
Driving speed (Stowed)	0-2.5 mph	0-4.0 km/h	0-2.5 mph	0-4.0 km/h
Driving speed (Raised)	0-0.5 mph	0-0.8 km/h	0-0.5 mph	0-0.8 km/h
Gradeability	25%	25%	25%	25%
Turning Radius (Inside)	0	0	0	0
Turning Radius (Outside)	5 ft 7 in	1.7 m	5 ft 7 in	1.7 m
Maximum Working Inclination Angle	1.5°/3°	1.5°/3°	1.5°/3°	1.5°/3°
Rise/Lower Speed	18/28 sec.	18/28 sec.	18/28 sec.	18/28 sec.
Controls	Proportional control	Proportional control	Proportional control	Proportional control
Drive	Double front wheel	Double front wheel	Double front wheel	Double front wheel
Brake	Double rear wheel	Double rear wheel	Double rear wheel	Double rear wheel
Track Tyre	12*4.5 in	30.5*11.4 cm	12*4.5 in	30.5*11.4 cm

### Power

Battery	24V DC(4*6V225Ah)	24V DC(4*6V225Ah)
Charger	90-240V36A mp	90-240V36A mp
Hydraulic Tank Capacity	2.6gal	10L
Overall Weight	3263 lb	1480 kg
	3307 lb	1500 kg