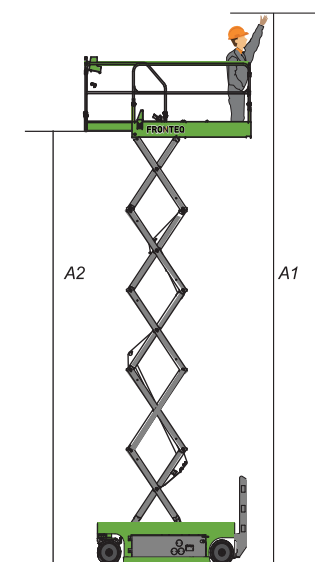
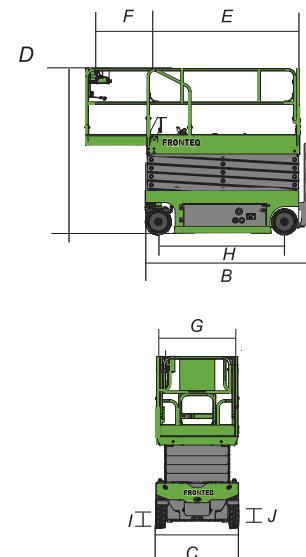


FS0612 / FS0812

Model	FS0612 Hydraulic Drive		FS0812 Hydraulic Drive		
	US	METRIC	US	METRIC	
Dimensions					
Max. Working Height	A1	26ft3in	8.0 m	32 ft 6 in	9.9 m
Max. Platform Height	A2	19ft8in	6.0 m	25 ft 11 in	7.9 m
Overall Length (Stowed)	B	8ft	2.45 m	8 ft	2.45 m
Overall Width	C	3ft10in	1.18 m	3 ft 10 in	1.18 m
Overall Height (Guardrails unfolded)	D	7ft2in	2.19 m	7 ft 7 in	2.31 m
Overall Height (Guardrails folded)		5ft4in	1.62 m	5 ft 11 in	1.8 m
Platform Length (Platform unextended)	E	7ft5in	2.25 m	7 ft 5 in	2.25 m
Max Horizontal Reach (Extension length)	F	2ft11in	0.9 m	2 ft 11 in	0.9 m
Platform Width	G	3ft10in	1.16 m	3 ft 10 in	1.16 m
Wheelbase	H	6ft1in	1.85 m	6 ft 1 in	1.85 m
Ground Clearance	I	4in	0.1 m	4 in	0.1 m
Ground Clearance (Pothole guards deployed)	J	1in	0.02 m	1 in	0.02 m



Performance

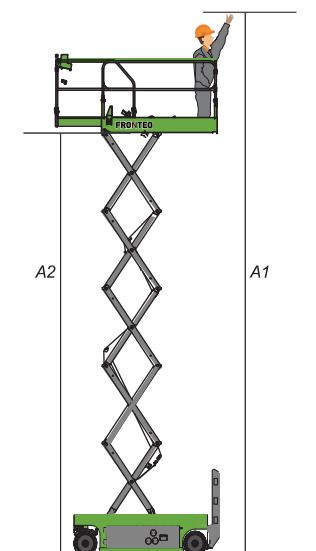
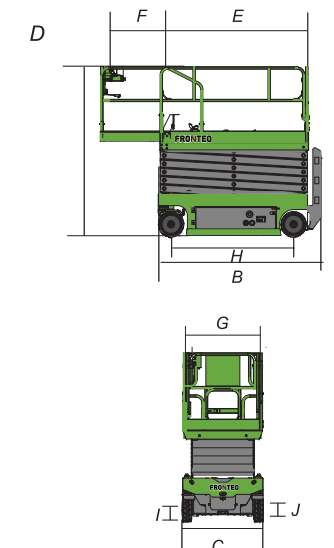
Max. Platform occupancy (indoor/outdoor)	2/2	2/2	2/1	2/1
Lift Capacity	1212 lb	550 kg	1014 lb	460 kg
Lift Capacity (Extension deck)	265 lb	120 kg	265 lb	120 kg
Driving Height	Full height	Full height	Full height	Full height
Driving speed (Stowed)	0-2 mph	0-3.2km/h	0-2 mph	0-3.2 km/h
Driving speed (Raised)	0-0.5 mph	0-0.8km/h	0-0.5 mph	0-0.8 km/h
Gradeability	30%	30%	30%	30%
Turning Radius (Inside)	0	0	0	0
Turning Radius (Outside)	8 ft	2.45 m	8 ft	2.45 m
Maximum Working Inclination Angle	1.5°/3°	1.5°/3°	1.5°/3°	1.5°/3°
Rise/Lower Speed	30/30 sec.	30/30 sec.	30/30 sec.	30/30 sec.
Controls	Proportional control	Proportional control	Proportional control	Proportional control
Drive	Double front wheel	Double front wheel	Double front wheel	Double front wheel
Brake	Double rear wheel	Double rear wheel	Double rear wheel	Double rear wheel
Track Tyre	15*5 in	38*13 cm	15*5 in	38*13 cm

Power

Battery	24VDC(4*6V225Ah)		24VDC(4*6V225Ah)	
Charger	90-240V36Amp		90-240V36Amp	
Hydraulic Tank Capacity	5.8gal	22L	5.8gal	22L
Overall Weight	4188 lb	1900 kg	5291 lb	2400 kg

FS1012 / FS1012E

Model	FS1012 Hydraulic Drive		FS1012E Electric Drive		
	US	METRIC	US	METRIC	
Dimensions					
Max. Working Height	A1	38ft9in	11.8 m	38 ft 9 in	11.8 m
Max. Platform Height	A2	32ft2in	9.8 m	32 ft 2 in	9.8 m
Overall Length (Stowed)	B	8ft	2.45 m	8 ft	2.45 m
Overall Width	C	3ft10in	1.18 m	3 ft 10 in	1.18 m
Overall Height (Guardrails unfolded)	D	7ft12in	2.43 m	7 ft 12 in	2.43 m
Overall Height (Guardrails folded)		6ft4in	1.92 m	6 ft 4 in	1.92 m
Platform Length (Platform unextended)	E	7ft5in	2.25 m	7 ft 5 in	2.25 m
Max Horizontal Reach (Extension length)	F	2ft11in	0.9 m	2 ft 11 in	0.9 m
Platform Width	G	3ft10in	1.16 m	3 ft 10 in	1.16 m
Wheelbase	H	6ft1in	1.85 m	6 ft 1 in	1.85 m
Ground Clearance	I	4in	0.1 m	4 in	0.1 m
Ground Clearance (Pothole guards deployed)	J	1in	0.02 m	1 in	0.02 m



Performance

Max. Platform occupancy (indoor/outdoor)	2/1	2/1	2/1	2/1
Lift Capacity	705 lb	320 kg	705 lb	320 kg
Lift Capacity (Extension deck)	265 lb	120 kg	265 lb	120 kg
Driving Height	Full height	Full height	Full height	Full height
Driving speed (Stowed)	0-2 mph	0-3.2 km/h	0-2 mph	0-3.2 km/h
Driving speed (Raised)	0-0.5 mph	0-0.8 km/h	0-0.5 mph	0-0.8 km/h
Gradeability	25%	25%	30%	30%
Turning Radius (Inside)	0	0	0	0
Turning Radius (Outside)	7 ft 7 in	2.3 m	7 ft 7 in	2.3 m
Maximum Working Inclination Angle	1.5°/3°	1.5°/3°	1.5°/3°	1.5°/3°
Rise/Lower Speed	58/48 sec.	58/48 sec.	58/48 sec.	58/48 sec.
Controls	Proportional control	Proportional control	Proportional control	Proportional control
Drive	Double front wheel	Double front wheel	Double front wheel	Double front wheel
Brake	Double rear wheel	Double rear wheel	Double front wheel	Double front wheel
Track Tyre	15*5 in	38*13 cm	15*5 in	38*13 cm

Power

Battery	24V DC(4*6V240Ah)		24V DC(4*6V240Ah)	
Charger	90-240V36A mp		90-240V36A mp	
Hydraulic Tank Capacity	5.8gal	22L	5.8gal	22L
Overall Weight	6140 lb	2785 kg	6140lb	2785kg